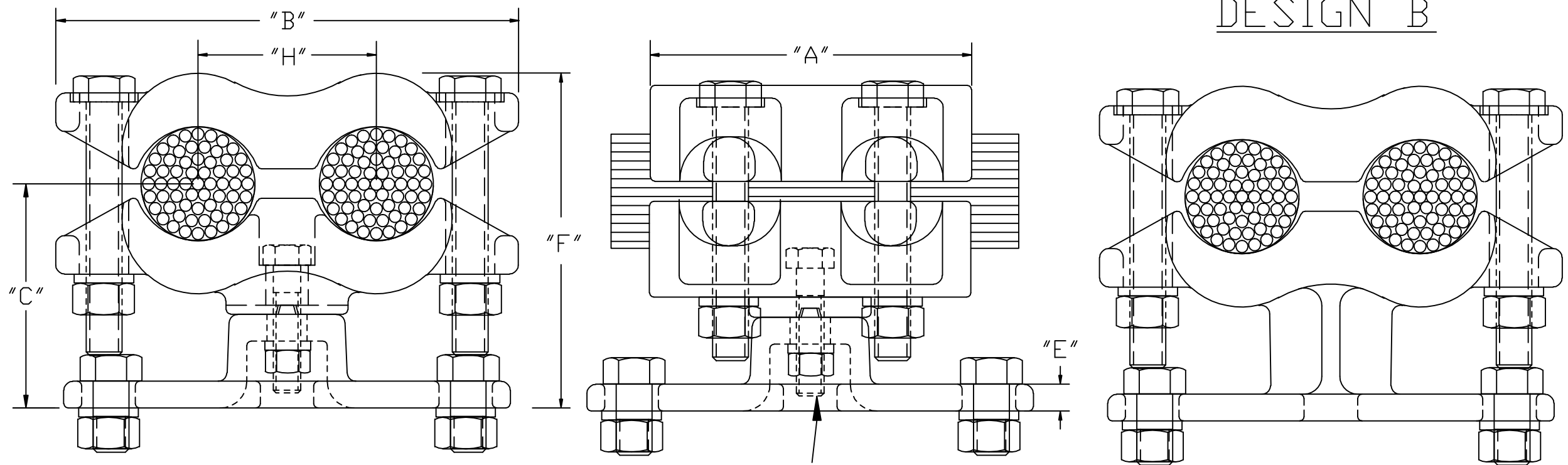
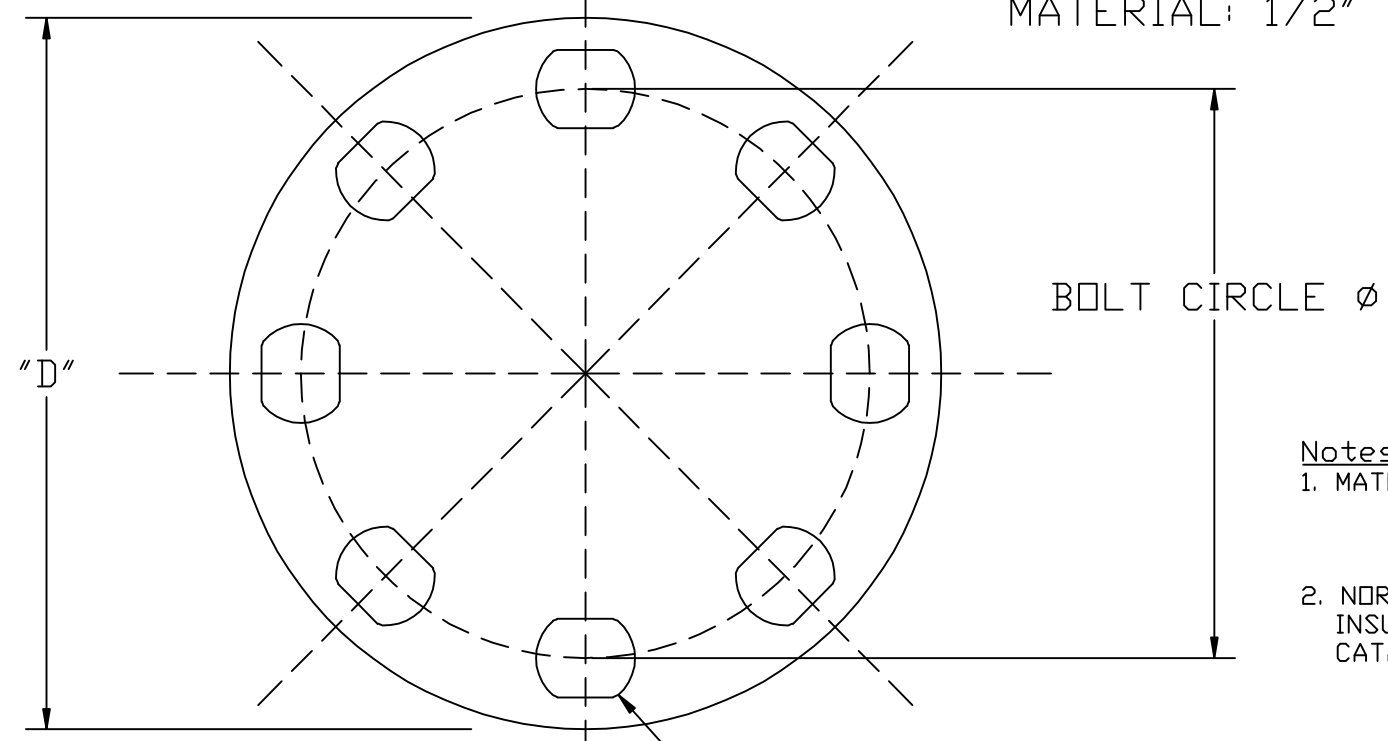


DESIGN A

DESIGN B



SHOP NOTE:
 TORQUE TO 480 IN. LBS
 MATERIAL: 1/2" GS OR SS BOLT



- Notes:
- MATERIAL: CASTINGS - 356-T6 ALUMINUM ALLOY
 CONDUCTOR CLAMPING HARDWARE - ALUMINUM ALLOY
 MOUNTING HARDWARE - GALVANIZED STEEL
 - NORMALLY SUPPLIED WITH HARDWARE FOR MOUNTING TO CAP OF INSULATOR. WHEN MOUNTING TO BASE OF INSULATOR, ADD "B" TO CATALOG NUMBER (FOR EXAMPLE ACS-13-5-B).


25780	3/7/08	MTF	MTF	ANDERSON TOLERANCE CHART	HUBBELL POWER SYSTEMS
EC #	DATE	CHG BY	RESP ENG		
DESC OF DWG ADCS ASSEMBLY DRAWING				CONFIDENTIAL: THIS DRAWING AND ITS CONTENTS ARE CONFIDENTIAL AND THE EXCLUSIVE PROPERTY OF HUBBELL POWER SYSTEMS. NO PUBLICATION, DISTRIBUTION OR COPIES MAY BE MADE WITHOUT THE WRITTEN CONSENT OF HUBBELL POWER SYSTEMS. HUBBELL POWER SYSTEMS UNPUBLISHED ALL RIGHTS RESERVED UNDER THE COPYRIGHT LAWS.	TITLE ADCS ALUMINUM BUS SUPPORT
REASON (S) FOR CHANGE: REDRAWN IN AUTOCAD					SIZE DWG NO. C C-5274
DISPOSITION OF MAT'L: --				DO NOT SCALE THIS DRAWING	DRN BY MTF DATE 2/18/08 SHEET 1 OF 2

CAT. NO	CONDUCTOR SIZE (MCM OR AWG)	IPS	DIMENSIONS IN INCHES								
			A	B	C	D	E	F	H	J	K
ADCS-40-3	#8 - 4/0	.125 - .25	2.25	3.813	2.25	4.25	0.375	3.063	1	4.5	.563 X .75
ADCS-40-5						6.25					.688 X .875
ADCS-50-3	250 - 556.5	.375 - .5	2.5	3.938	2.5	4.25	0.375	3.125	1.25	4.5	.563 X .75
ADCS-50-5						6.25					.688 X .875
ADCS-75-3	550 - 900	0.5	3	4.563	2.75	4.25	0.375	3.75	1.5	4.5	.563 X .75
ADCS-75-5						6.25					.688 X .875
ADCS-100-3	800 - 1000	.75 - 1	3.5	4.875	3	4.25	0.375	4.188	1.75	4.5	.563 X .75
ADCS-100-5						6.25					.688 X .875
ADCS-100-7						8.5	0.5	.813 X 1			
ADCS-150-3	1250 - 1500	1	2.5	4.813	2.75	4.25	0.375	3.875	1.875	4.375	.563 X .75
ADCS-150-5						6.25					.688 X .875
ADCS-200-3	1272 - 2000	1.25	4.5	6.188	3.25	4.25	0.375	4.938	2.25	4.625	.563 X .75
ADCS-200-5						6.25					.688 X .875
ADCS-250-3	2000 - 2500	1.25	3.5	5.75	4	4.25	0.375	5.375	2.125	4.5	.563 X .75
ADCS-250-5						6.25					.688 X .875
ADCS-300-5	3000	1.5	3.563	7	3.25	6.25	0.375	4.938	2.500	4.625	.688 X .875
ADCS-350-3	3500		5	7.188	4	4.25	0.375	5.938	2.5	4.625	.563 X .75
ADCS-40-3-PEC	#8 - 4/0	.125 - .25	2.25	3.813	2.25	4.25	0.375	3.063	1	4.5	.563 X .75
ADCS-50-3-PEC	250 - 556.5	.375 - .5	2.5	3.938	2.5	4.25	0.375	3.125	1.25	4.5	.563 X .75
ADCS-50-5-PEC						6.25					.688 X .875
ADCS-75-3-PEC	500 - 900	0.5	3	4.5	2.75	4.25	0.375	3.75	1.5	4.5	.563 X .75
ADCS-75-5-PEC						6.25					.688 X .875
ADCS-100-3-PEC	800 - 1000	.75 - 1	3.5	4.875	3	4.25	0.375	4.25	1.75	4.5	.563 X .75
ADCS-150-3-PEC	1250 - 1500	1	3.5	5.25	3.375	4.25	0.375	4.438	1.875	4.5	.563 X .75
ADCS-200-3-PEC	1500 - 2000	1.25	3.5	5.563	3.75	4.25	0.375	5.375	2	4.5	.563 X .75
ADCS-250-3-PEC	2000 - 2500	1.25	3.5	5.75	4.25	4.25	0.375	5.625	2.125	4.5	.563 X .75
ADCS-300-3-PEC	3000	1.5	3.563	7	4.25	4.25	0.375	6.063	2.5	4.5	.563 X .75
ADCS-300-5-PEC						6.25					.688 X .875

NOTES:

LAST NUMBER IN CAT. NO. IS BOLT CIRCLE Ø.
(E.G. ADCS-200-5, BOLT CIRCLE Ø IS 5".

* -- INDICATES "DESIGN A"

25780	3/7/08	MTF	MTF	ANDERSON TOLERANCE CHART	 HUBBELL POWER SYSTEMS
EC #	DATE	CHG BY	RESP ENG		
DESC OF DWG TABLE OF ADCS ASSEMBLIES				CONFIDENTIAL: THIS DRAWING AND ITS CONTENTS ARE CONFIDENTIAL AND THE EXCLUSIVE PROPERTY OF HUBBELL POWER SYSTEMS. NO PUBLICATION, DISTRIBUTION OR COPIES MAY BE MADE WITHOUT THE WRITTEN CONSENT OF HUBBELL POWER SYSTEMS. HUBBELL POWER SYSTEMS UNPUBLISHED. ALL RIGHTS RESERVED UNDER THE COPYRIGHT LAWS.	TITLE ADCS ALUMINUM BUS SUPPORT
REASON (S) FOR CHANGE: REDRAWN IN AUTOCAD					SIZE DWG NO. C C-5274
DISPOSITION OF MAT'L: --				DO NOT SCALE THIS DRAWING	DRN BY MTF
				DATE 2/18/08	SHEET 2 OF 2